

GMT-X1

Weighing Transmitter

(Digital Version Available)



GMT-X1, a DIN rail-mounted weighing transmitter for industrial automation, can be used in various weighing applications, such as weight checking, loss-in-weight, liquid filling, batching, vessel and silo weighing, etc. Through Bluetooth, it can be connected to Weasy App for configuration and monitoring.



SOFTWARE HIGHLIGHTS

- Liquid filling software selectable;
- Calibration without weights (by load cell sensitivity value);
- Printer function;
- Self-testing for I/O and Communication port;
- Self-editable boot screen.



HARDWARE HIGHLIGHTS

Simulation/Digital Version

- Stainless steel case with compact design;
- Different configuration choice, a variety of combinations;
- Standard: RS485 + RS485/RS232 (Selectable)

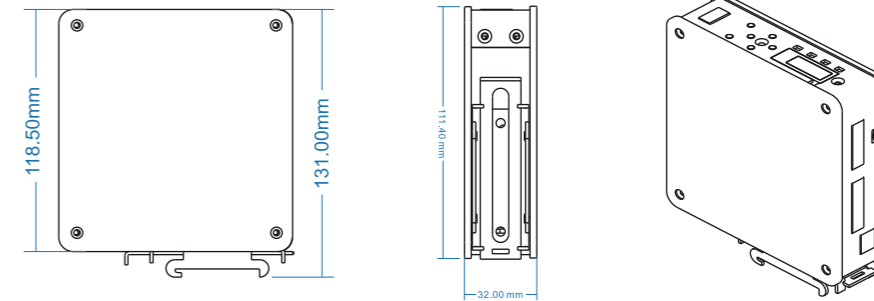
- Option 1** 3 input 5 Output or 3 input 4 Output relay (Optional);
- Option 2** RS485+ 16bit Analog or 2 input 4 Output or CAN;
- Option 3** Modbus TCP or Ethernet/IP or Profinet or Profibus DP

- or CCLink IE or Ethercat;
- (Hardware Option 1,2,3 can be selected at the same time);
- Bluetooth Communication.



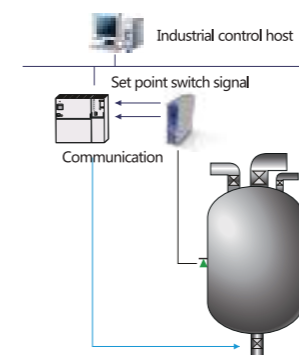
Specifications

	Model	GMT-X1	GMT-X1 Digital Version	
General Specifications	Power Supply	DC 24V(12~30VDC)		
	Working temperature	-10°C~40°C		
	Maximum humidity	90% RH.without dew		
	Approval standards	OIML R76, ClassIII 6000 e, 1 μ V/e		
	Power consumption	About 5W		
	Measurement Parameters	A/D performance	24 bit Delta-Sigma	N/A
A/D conversion speed		50~960 times/sec	N/A	
Non-linearity		0.01%F.S	N/A	
Gain drift		10PPM/°C	N/A	
Input sensitivity		0.1μV/d	N/A	
Display Accuracy		1/1,000,000	1/1,000,000	
Weighing Platform Requirement		1 simulation scale interface can connect up to 8 load cells with 350Ω, Support sensitivity in 1mV/V, 2mV/V, 3mV/V	1 standard RS485 digital loadcell interface	
Sensor power supply		DC 5V 200mA(Max)	DC12V 250mA, up to connect with 8 digital load cells	

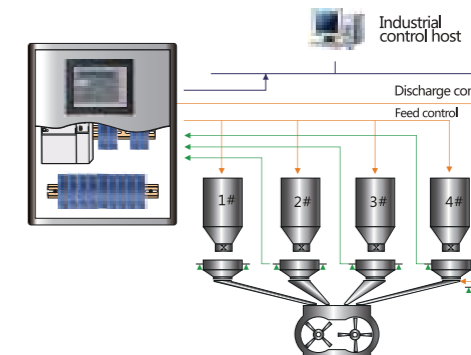


*Specification and dimension may be upgraded, please consult sales manager for the latest info.

Application



Set point weighing application



Multi-material batching application