

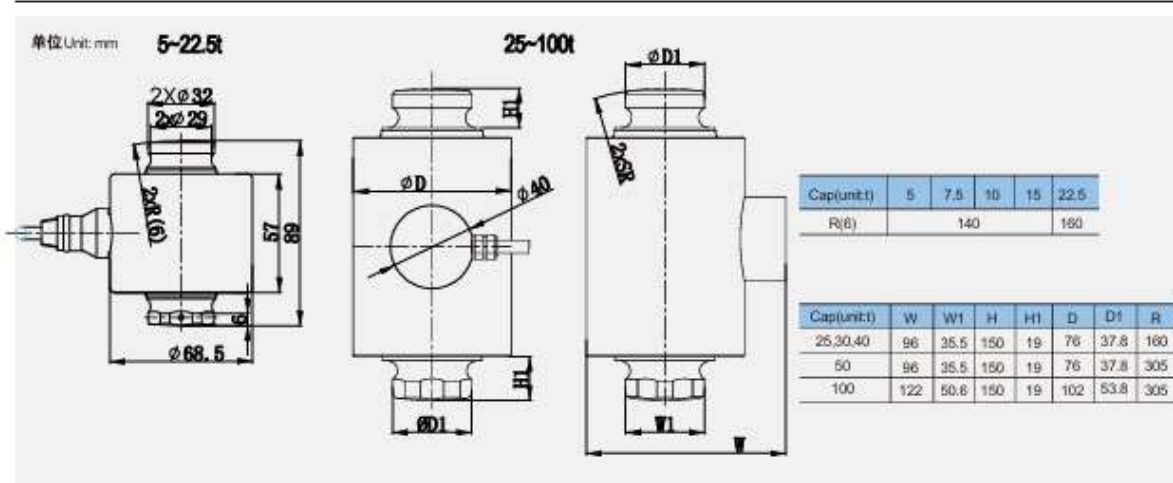


柱式传感器 (可选数字版)

Canister Load Cells (Digital Version Available)

激光焊接IP68;
自复位功能;
经过角差预调整适合并联使用(按EN 45501);
模拟及数字版本可选。

Laser welded, IP68;
Self-restoring function;
Optimized for parallel connection by corner pre-adjustment,
Meets EMC/ESD requirements according to EN 45 501;
Analog or digital version selection.



Specifications 技术说明

Exc+ (Red, 红); Exc- (Black, 黑); Sig+ (Green, 绿); Sig- (White, 白); Sen+ (Blue, 蓝); Sen- (Yellow, 黄)

Item 项目	Unit 单位	Parameter 参数						
Accuracy class 精度等级		C3						
Maximum capacity(Emax) 额定载荷	t	5 / 7.5 / 10 / 15 / 22.5 / 25 / 30 / 40 / 50 / 100						
Minimum LC verification interval(Vmin)最小检定分度值	% of Emax	0.0100						
Sensitivity(Cn)/Zero balance 灵敏度/零点平衡	mV/V	2.0±0.002 / 0±0.02						
Temperature effect on zero balance (TK0) 温度对零点影响	% of Cn/10K	±0.0170						
Temperature effect on sensitivity (TKc) 温度对灵敏度影响	% of Cn/10K	±0.0170						
Hysteresis error(dhy)滞后误差	% of Cn	±0.0180						
Non-linearity(dlin)非线性误差	% of Cn	±0.0167						
Creep(dcr) over 30 min.蠕变及蠕变恢复	% of Cn	±0.0167						
Input (RLc) & Output resistance (RO) 输入&输出电阻	Ω	1150±20 & 1005±5						
Nominal range of excitation voltage (Bu) 额定电压	V	5~15						
Insulation resistance(Ris) at 50Vdc 绝缘电阻	MΩ	>5000						
Service temperature range(Btu) 工作温度	°C	-40..+70						
Safe load limit(EL) & Break load(Ed) 破坏载荷&安全承载	% of Emax	150 & 250						
Protection class according to EN60529 (IEC 529) 保护等级		IP68						
Material: Measuring body+housing 材料: 测量元件+壳体		Stainless or alloy steel+Stainless steel 合金钢和不锈钢可选+不锈钢						
Maximum capacity(Emax) 额定载荷	t	5	10	15	22.5	25~50	100	
Deflection at Emax(Sno), approx. 最大荷下的变形量	mm	<0.55	<0.6	<0.65	<0.7	<0.75	<0.85	
Weight(G), approx 重量	kg	1.5			3.8		6.3	
Cable 电缆: Diameter 直径 Ø5mm Length 长度	m	12			16		16	