

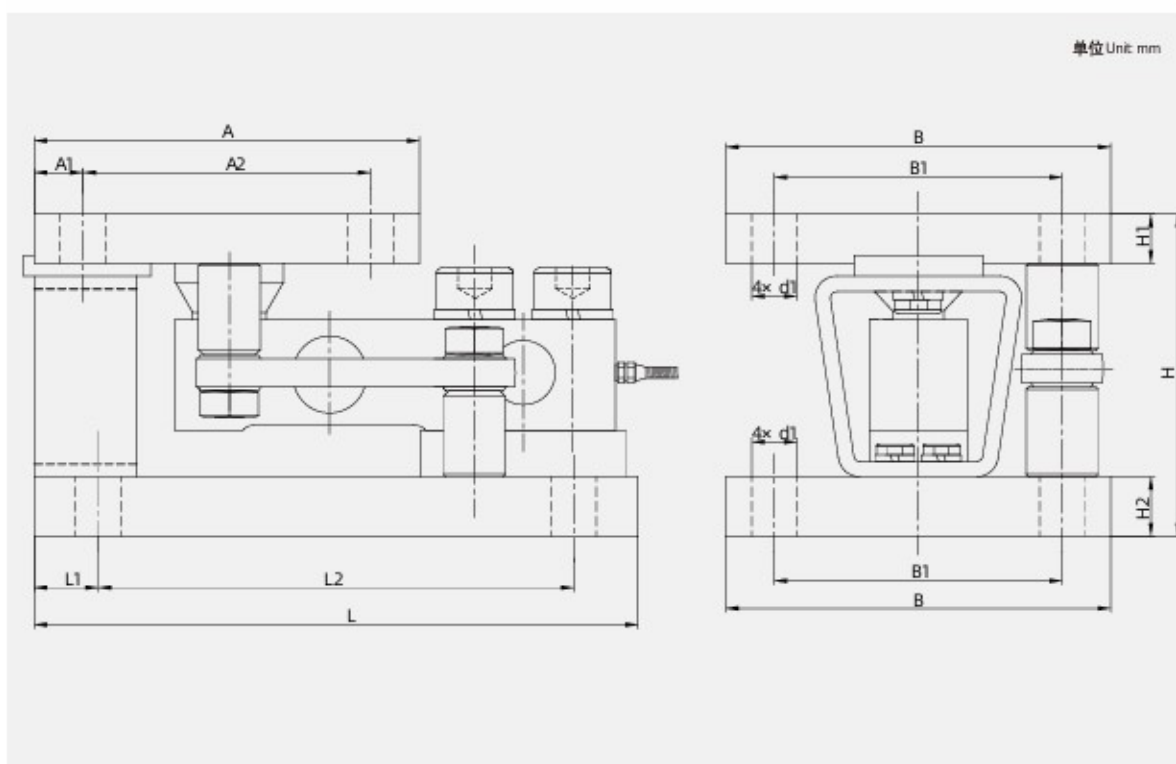
GML-M810



悬臂梁模块 (可适配数字传感器)

Weighing module with shear beam load cells
(Digital Version Available)

- 适用于GML-X8 F/B系列传感器;
- 结构紧凑, 安装简便;
- 防倾覆保护, 防过载保护;
- 适用于动静载场合;
- 不锈钢及合金钢材质可选。
- GML-X8 F/B series are apply to this module;
- Compact installation, easy installation;
- Overtum and overload preventing protection;
- Suitable for static and online weighing;
- Stainless steel and alloy steel selection.



Cap(untt)	A	A1	A2	L	L1	L2	B	B1	H	H1	H2	d1
0.5,1,2	114	12.5	89	177.5	12.5	152.5	114	89	105	17.5	17.5	Ø11.2
3	114	12.5	89	177.5	12.5	152.5	114	89	108	19	19	Ø11.2
5	150	24.2	101.6	235	25.4	184.2	150	101.6	125	19	24	Ø17.5
7.5	150	24.2	101.6	235	25.4	184.2	150	101.6	135	24	29	Ø17.5
10	200	25	150	350	25	300	200	150	180	29	44	Ø22