

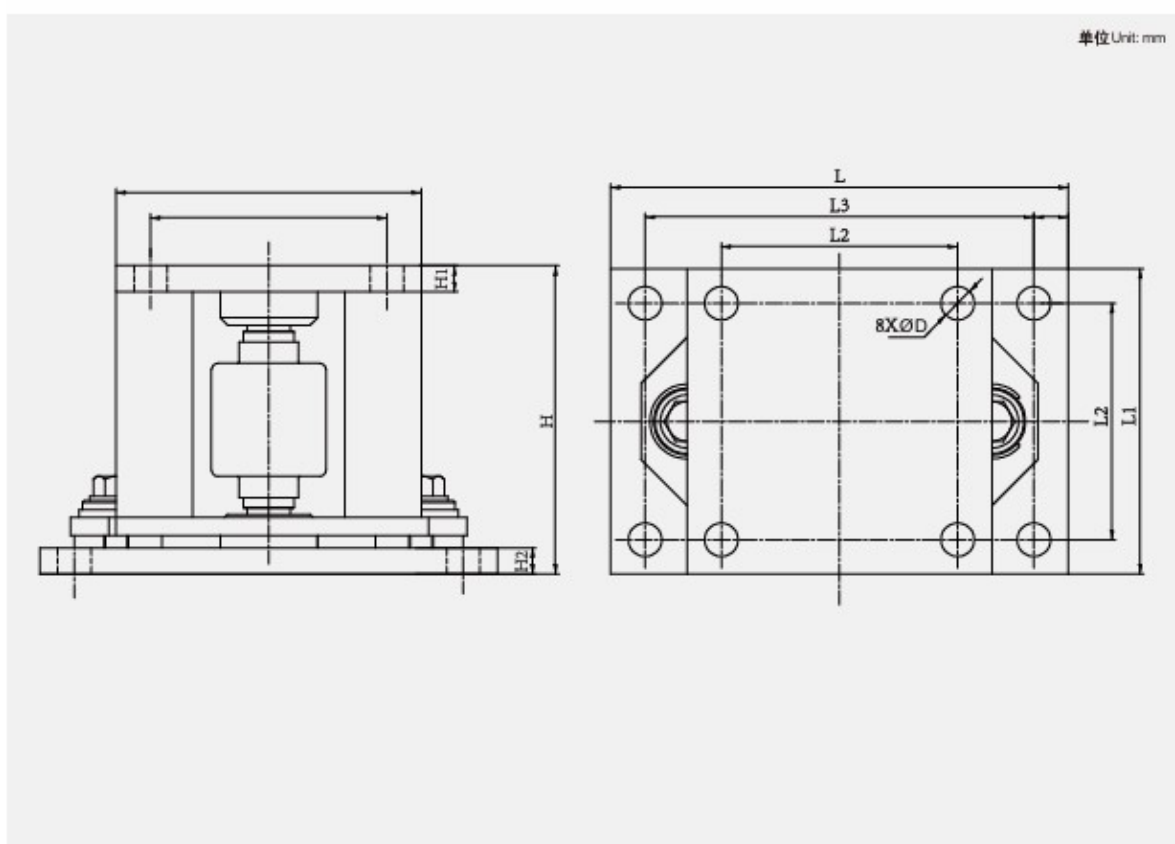


### 柱式模块 (可适配数字传感器)

Weighing module with canister load cells  
(Digital Version Available)

适用于GML-Z4 D系列传感器;  
结构紧凑, 安装简便;  
不锈钢及合金钢材质可选。

GML-Z4 D series are apply to this module;  
Compact installation, easy installation;  
Stainless steel and alloy steel selection.



Cap(unit:t)	D	H	H1	H2	L	L1	L2	L3	L4
7.5~22.5	22	152	12	17	300	200	155	255	22.5
25~70	22	200	17	17	300	200	155	255	22.5
100	32	263	30	33	440	300	235	375	32.5