



GML-M410

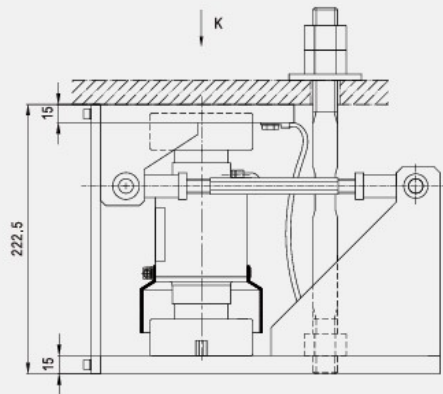
柱式模块 (可适配数字传感器)

Weighing module with canister load cells
(Digital Version Available)

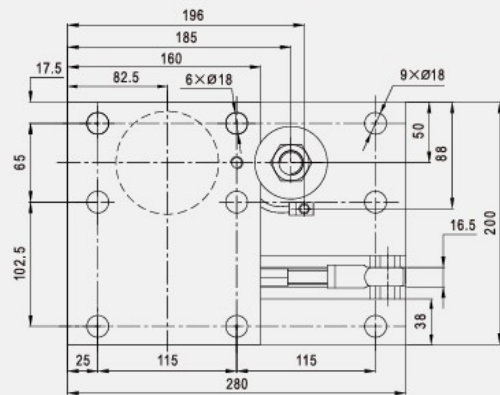
适用于GML-Z4 A系列传感器;
结构紧凑, 安装简便;
不锈钢及合金钢材质可选.

GML-Z4 A series are apply to this module;
Compact installation, easy installation;
Stainless steel and alloy steel selection.

单位 Unit: mm

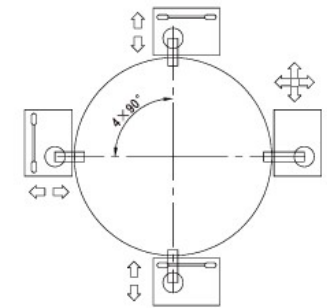
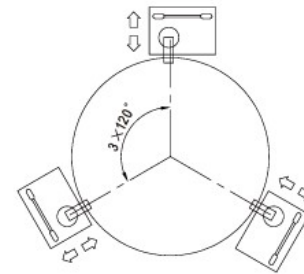


Top view, 顶视图, 无容器脚
drawing without tank foot

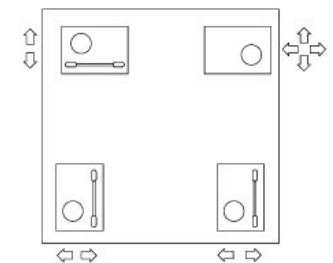
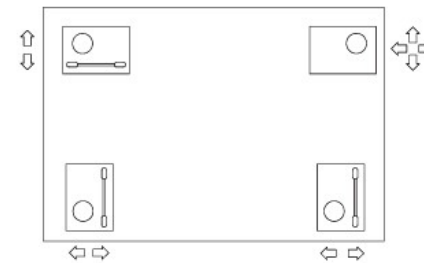


Mounting examples for weighing modules with stay rods: 带有支撑杆的称重模块安装示例

Cylindrical arrangement of the weighing module below tanks
称重模块在罐下部的圆形布置



Rectangular arrangement of the weighing module below tanks
称重模块在罐下部的方形布置



Remark备注: Stay rod 支撑杆 Load introduction 负载方向 Degree of freedom 自由度

Further accessory: 其他附件

Fixed bearings with the same installation height as the weighing module.
固定底座与称重模块是同样的高度; 安装时具有替代作用。

