

GMC-X904-2/D Packing Controller



GMC-X904-2/D single or double hopper packing controller is a DIN rail-mounted weighing controller developed for packaging machine. Stainless steel case provides strong capability in anti-interference. The new algorithm makes the weighing control faster and more accurate. It can be widely used in feed, chemical, grain and other industries.

HARDWARE HIGHLIGHT



- Stainless steel case with compact design (61*132*126mm);

Standard: ①1 RS232 and 1 RS485; ② I/O 12 input and 16 output.

Optional: Single or dual network port: support Modbus TCP/IP.

SOFTWARE HIGHLIGHT

- Support hopper/non hopper/big bag/bulking scale structure;

Multiple working modes: pneumatic feeding/discharging; motor feeding/discharging;

Clamping and loosening bag modes: Pneumatic, stepping motor, motor single-limit, motor double-limit optional;

- Batches setting function;
- Material level control function;
- I/O logic programming control function;
- Multiple Digital Filtering;
- Automatic Zero Tracking;

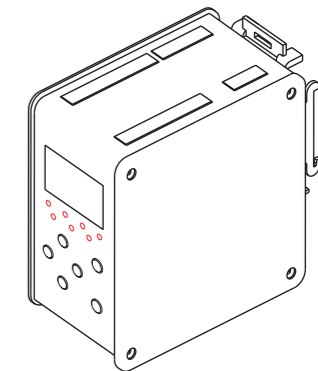
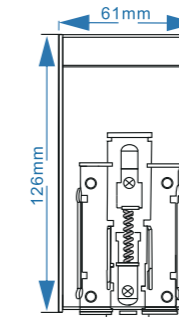
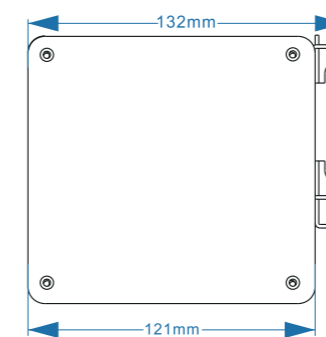
Weighing and peripheral functions:

- Auxiliary Pulse;
- Multiple Bag Tapping Modes;
- Sewing Machine Control;
- Discharge Vibration;
- Conveyor Control;
- Printing Function.



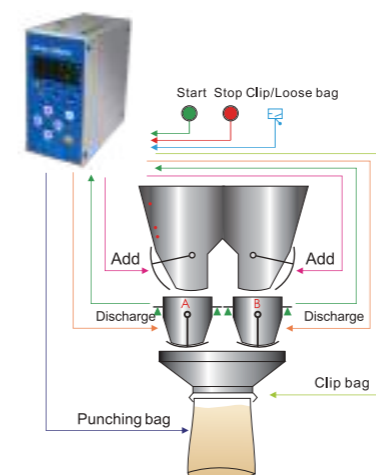
Specifications

General Specifications	Model	GMC-X904
	Power	DC24V ±5%
	Size	61mm×132mm×126mm
	Working Environment	-10~40°C
	Max. Humidity	90%R.H No Condensation
	Power Dissipation	Approx. 15W
Measurement Parameters	Weighing Standard	ClassIII 6000e, 1μV/e
	A/D Conversion	24bit Sigma-Delta
	A/D Speed	120/240/480/960 SPS
	Non-Linearity	0.01%FS
	Gain Drift	10 PPM/°C
	Sensitivity	0.02μV/d
	Input Millivolt	0.02~15mV
	Load cell Power	DC5V, 125mA(Max)
	Input Impedance	10MQ
	Zero Steady Range	Maximum 0.002~15mV(Load Cell 3mV/V)

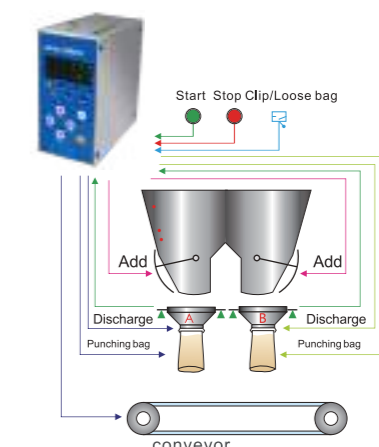


*Specification and dimension may be upgraded, please consult sales manager for the latest info.

Application



Duplex Packing Controller with Hopper



Duplex Packing Controller without Hopper