

# GMC-X802-C2/D

## Linear Feeder Controller



The GMC-X802-C2/D is a weighing module developed for linear feeder packing systems with vibrators. Single scale (C2) or dual scale (CD) are selectable. The new algorithm makes the weighing control faster and more accurate. Various communication ports make the equipment easier to connect with the system. it is suitable for weighing powdery or small granular materials, such as sugar, salt, seeds, rice, sesame, spice, milk powder, coffee, washing powder, etc.

### Hardware Interface



#### Standard:

- 1 RS485 and 1 RS232: for PC, PLC, printer, tag printer, remote display, or other external device;
- USB: used for program upgrade and parameter import, export and backup;
- 12 Input/16 Output I/O ports: for starting, stopping, discharging, feeding, I/O definable for different applications;
- C2: 1load cell interface: for the 6-wire load cell scale;  
CD: 2 load cell interface: for the 6-wire load cell scale, 1 interface can connect up to 8 load cells with 350Ω;

#### Options:

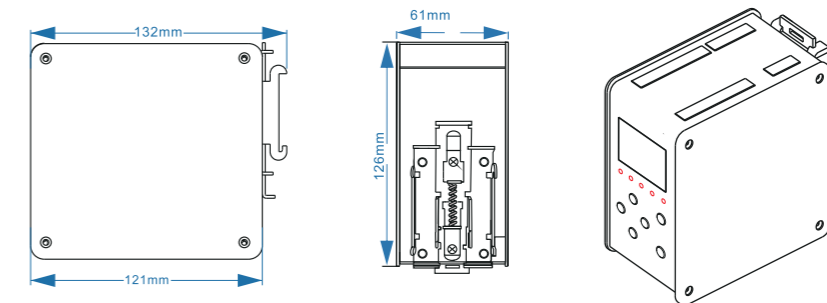
- Single/dual internet ports: support Modbus TCP;
- C2: 1or2 analog interfaces, output range: 0~5V, 0~10V, 0~24mA, 4~20mA;  
CD: 2or4 analog interfaces, output range: 0~5V, 0~10V, 0~24mA, 4~20mA.

### Functions

- DIN rail mount, save space;
- With screen and buttons for easy operation;
- For dual packing scales, up to 3 controllers for 6 packing scales interlocking without PLC;
- McgsPro program sample code of single / double / four / six scales can be provided;
- Various feeding mechanisms: vibrator, air cylinder, stepper/servo motor;
- Various discharging mechanisms: pneumatic, common motor, stepper motor, etc.;
- Support for batching management, bag clamp/loosen, material level control, over-under alarm and under-level feed;
- Support analog self-search, lead adaptive function, reduce the difficulty of debugging, to achieve intelligent system.

### Specifications

General Specifications	Model	GMC-X802-C2/D
	Power	DC 24V ±5%
	Working Temperature	-10 ~ 40°C
	Humidity	90%R.H no condensation
	Power Consumption	Approx. 5W
	Calibration standard	ClassIII 6000e, 1μV/d
	Size	61mm x 132mm x 126mm
Weighing Parameters	A/D Conversion	24 bits Delta-Sigma
	Nonlinearity	0.01%F.S
	Gain Drift	10 PPM/°C
	Sensitivity	0.1μV/d
	Input range	0.02~11mV (load cell: 2mV/V)
	Load Cell Power	DC5V, 125mA(Max)
	Input Impedance	10MΩ
Hardware Interfaces	Zero Adjustment Range	Max 0.02~8mV (load cell: 2mV/V)
	Load Cell Interface	C2: 1load cell interface: for the 6-wire load cell scale; CD: 2 load cell interface: for the 6-wire load cell scale, 1 interface can connect up to 8 load cells with 350Ω;
	I/O Interface	12 IN 16 OUT transistor interfaces (PW1-PW6 is PWM output)
	Communication Interface	1 RS485 and 1 RS232 Modbus TCP optional
	Analog Interface	C2: 1or2 analog interfaces, output range: 0~5V, 0~10V, 0~24mA, 4~20mA CD: 2or4 analog interfaces, output range: 0~5V, 0~10V, 0~24mA, 4~20mA



\*Specification and dimension may be upgraded, please consult sales manager for the latest info.

### Application

