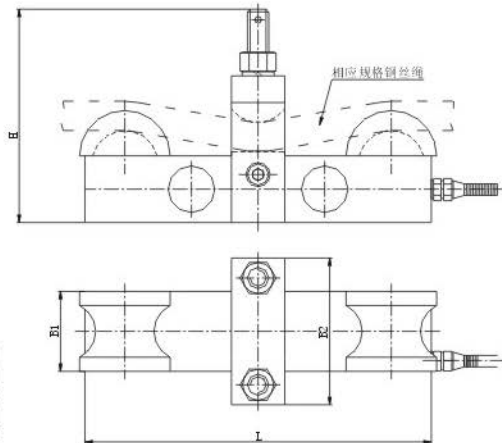


SCNB-A Loadcell

SCNB-A



钢丝绳张力(kN)	H	D1	D2	L	钢丝绳直径(Φmm)
1					Φ6~Φ14
2	95.5	10	60	150	Φ10~Φ18
5					Φ12~Φ20
5	155.5	10	75	200	Φ16~Φ25
10	174	60	110	260	Φ24~36

Suitable for steel wire overload protection

TECHNICAL PARAMETER

OAP version 4Wires:Exc+(Blue);Exc-(Black);Sig+(White);Sig-(Red)

Rated capacities(Emax)	1, 2, 3, 5, 10t	Temperature range, compensated	-10℃~+40℃
Sensitivity	1.0±0.05mV/V	Temperature range, operating	-30~70℃
Total error	±0.2%F.S	Maximum safe overload	150%F.S
(30)Creep error (30min)	±0.1%F.S	Ultimate overload	200%F.S
Zero balance	±1%F.S	Excitation, recommend	10~12DC
TCO	±0.05%F.S/10℃	Excitation, maximum	15V DC
TC SPAN	±0.05%F.S/10℃	Protection class	IP68
Input resistance	750 ± 10Ω	Construction	Alloy Steel
Output resistance	702 ± 3 Ω	Cable	Length: 0.5m
Insulation resistance	≥5000MΩ		Diameter: φ 6mm